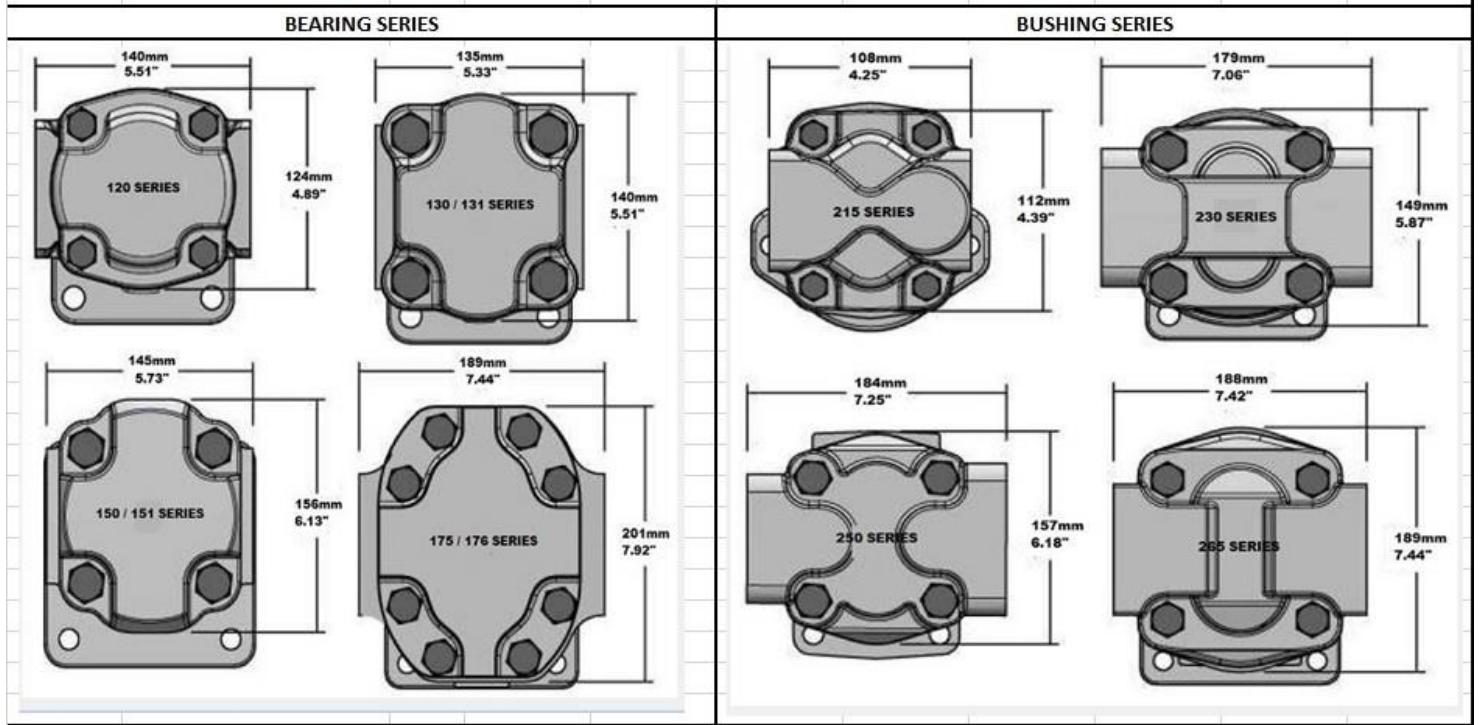


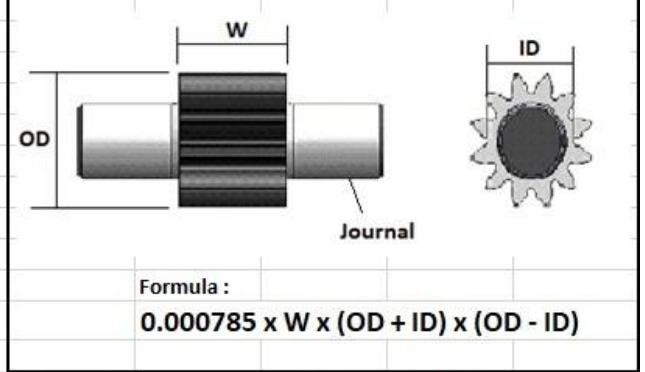
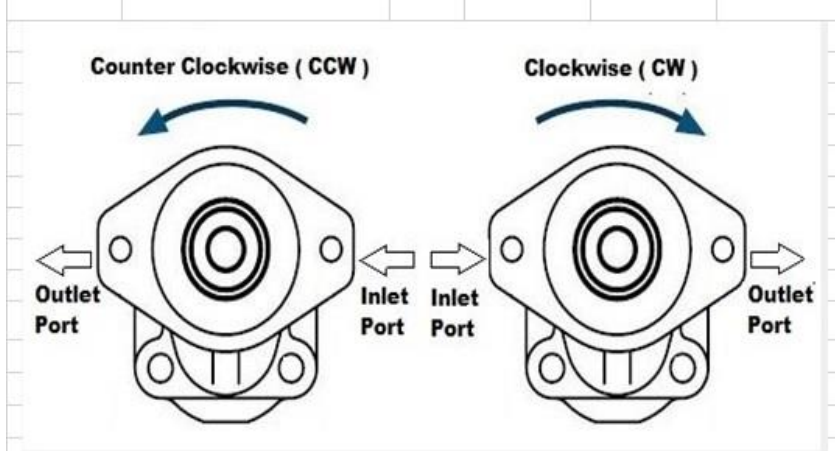
**GPD - GEAR PUMP DISTRIBUTORS AUSTRALIA PTY LIMITED**

HOW TO DETERMINE.....			BEARING SERIES				BUSHING SERIES			
SERIES = ROTATION = FLOW			120	131	151	176	215	230	250	265
Externally	Shaft outboard bearing	OD	52	52	72	80		52	72	80
Internally	Needle Bearing/Bushing	OD	43	43	49	59	27	30	37	42
Internally	Gear Journal	OD	27	27	32	38	24	27	33	38
Internally	Gear Tooth	OD	53.3	53.3	60.8	76.1	44.5	53.3	60.8	69



**ROTATION - Drive Shaft towards you and on top - Idler gear (belly at bottom)**

**DISPLACEMENT**



Contact :	Office 02 9676 7311
Mike	<a href="mailto:mikee@gearpump.com.au">mikee@gearpump.com.au</a> 0422 867 019
Mark	<a href="mailto:markf@gearpump.com.au">markf@gearpump.com.au</a> 0422 867 024
Melissa	<a href="mailto:melissab@gearpump.com.au">melissab@gearpump.com.au</a>