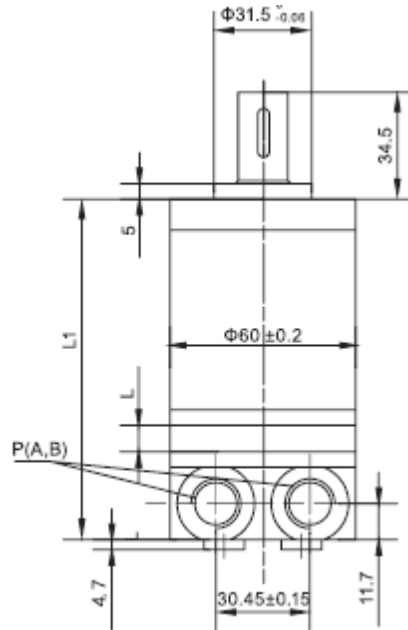
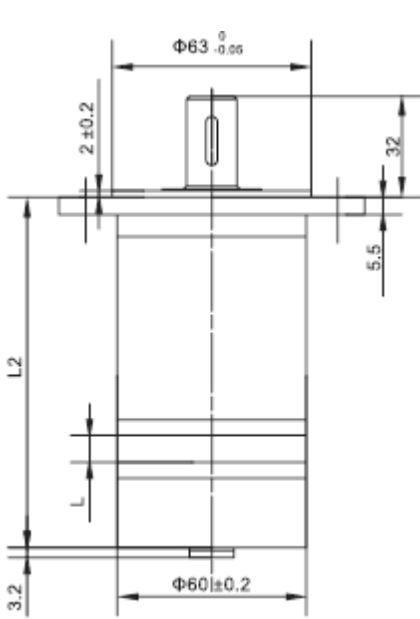
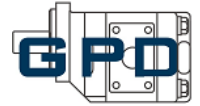
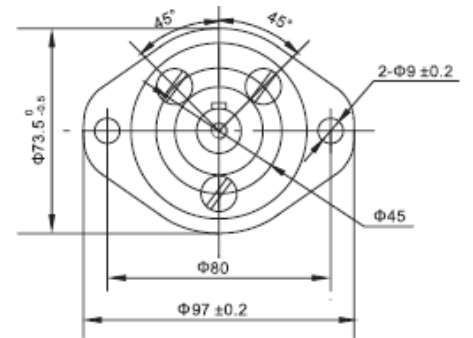


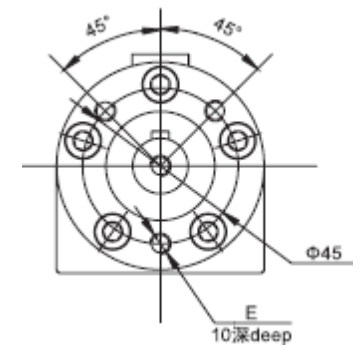
GMM GEROLER MOTORS



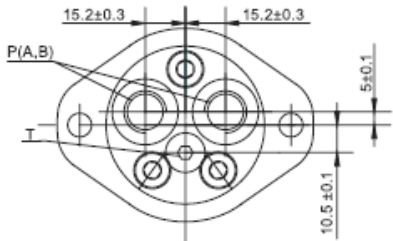
Side Ports (Option)



2 Bolt 63mm (Std)



3 Bolt 31.5mm (Option)

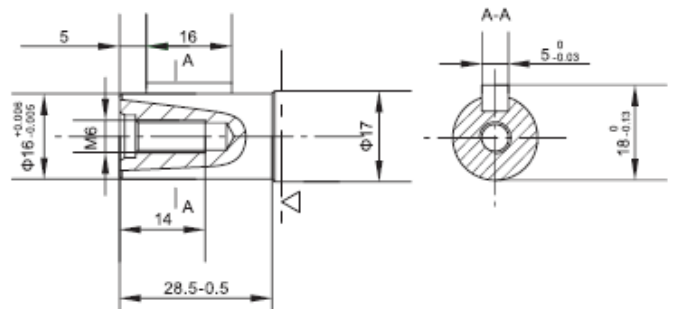


Rear Ports (Std)

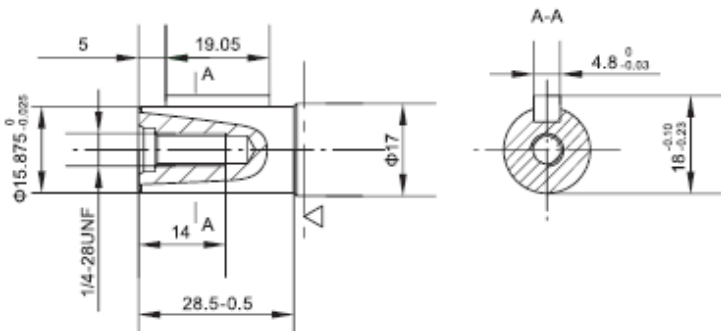
	Disp(cc/rev)	L	L1	L2	E	P(BSPP)	T(BSPP)
GMM-8	8	3.5	104	107.5	M6	G3/8"	G1/8"
GMM-12.5	12.5	5.5	106	109.5	M6	G3/8"	G1/8"
GMM-20	20	8.5	109	112.5	M6	G3/8"	G1/8"
GMM-32	32	13.5	114	117.5	M6	G3/8"	G1/8"
GMM-40	40	17	117.5	121	M6	G3/8"	G1/8"
GMM-50	50	21.5	122	125.5	M6	G3/8"	G1/8"

SHAFT OPTIONS

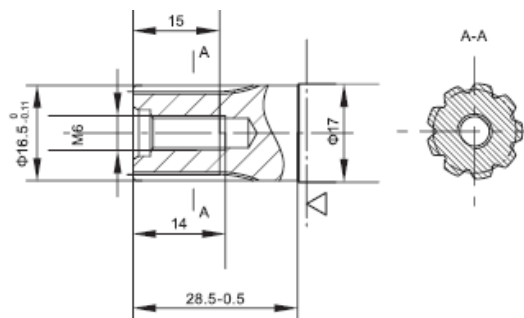
16mm Cylindrical shaft, parallel key



15.875mm Cylindrical shaft, Parallel key (STD)



16.5mm involute spline shaft 9T, B17x14 DIN5482



GEAR PUMP DISTRIBUTORS