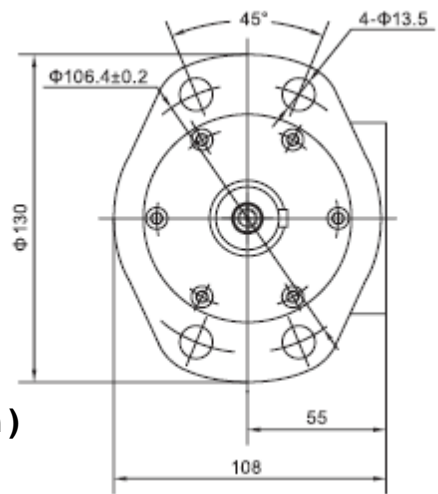
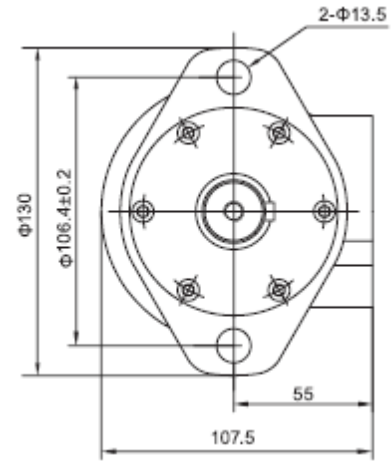
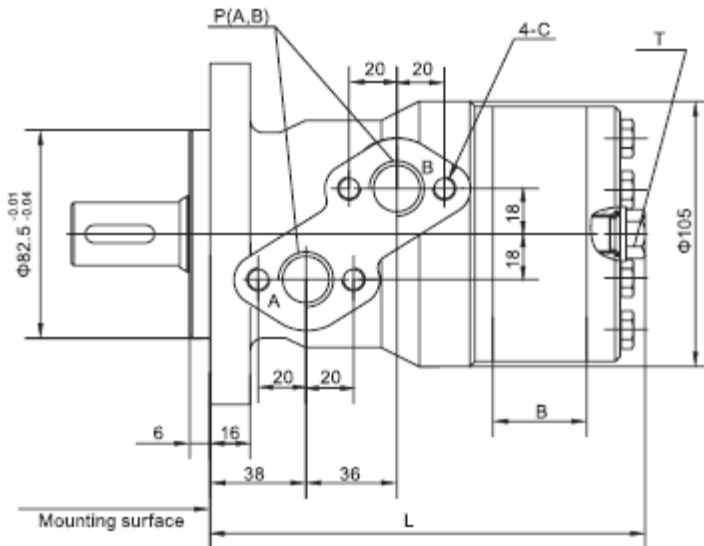


SAE 2 Bolt A (Std)



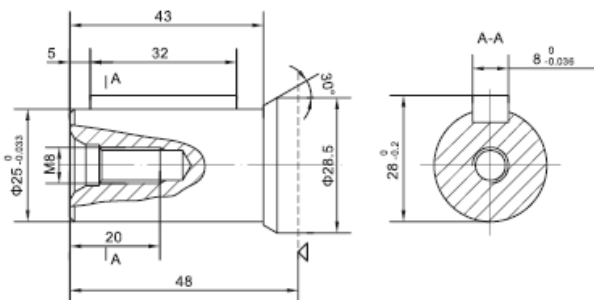
4 Bolt A (Option)



	Disp(cc/rev)	L	B	4-C	P(BSPP)	P(UNF)	T(BSPP)	T(UNF)
GMR-50	50	150	9	M8	G1/2"	7/8"-14	G1/4"	7/16"-20
GMR-80	80	155	14	M8	G1/2"	7/8"-14	G1/4"	7/16"-20
GMR-100	100	158.5	17.5	M8	G1/2"	7/8"-14	G1/4"	7/16"-20
GMR-125	125	163	22	M8	G1/2"	7/8"-14	G1/4"	7/16"-20
GMR-160	160	169	28	M8	G1/2"	7/8"-14	G1/4"	7/16"-20
GMR-200	200	176	35	M8	G1/2"	7/8"-14	G1/4"	7/16"-20
GMR-250	250	185	44	M8	G1/2"	7/8"-14	G1/4"	7/16"-20
GMR-315	315	197	56	M8	G1/2"	7/8"-14	G1/4"	7/16"-20
GMR-400	400	211	70	M8	G1/2"	7/8"-14	G1/4"	7/16"-20

SHAFT OPTIONS

25mm Cylindrical shaft, Parallel key



25.4mm Cylindrical shaft, Woodruff key (Std)

