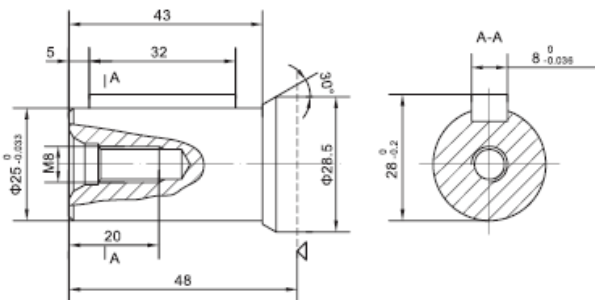


**MOUNT (Std)**

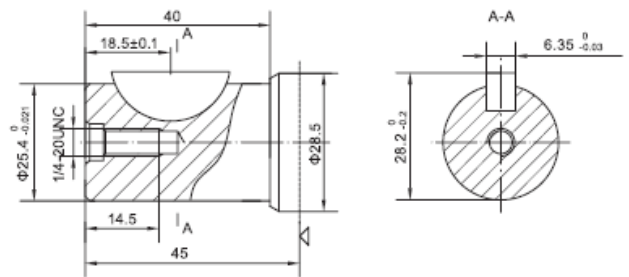
	Disp(cc/rev)	L	B	P(BSPP)	P(UNF)	T(BSPP)	T(UNF)
<b>GMS-50</b>	50	150	9	G1/2"	7/8"-14	G1/4"	7/16"-20
<b>GMS-80</b>	80	155.4	14	G1/2"	7/8"-14	G1/4"	7/16"-20
<b>GMS-100</b>	100	158.5	17.5	G1/2"	7/8"-14	G1/4"	7/16"-20
<b>GMS-125</b>	125	163	22	G1/2"	7/8"-14	G1/4"	7/16"-20
<b>GMS-160</b>	160	169	28	G1/2"	7/8"-14	G1/4"	7/16"-20
<b>GMS-200</b>	200	176	35	G1/2"	7/8"-14	G1/4"	7/16"-20
<b>GMS-250</b>	250	185	44	G1/2"	7/8"-14	G1/4"	7/16"-20
<b>GMS-315</b>	315	197	56	G1/2"	7/8"-14	G1/4"	7/16"-20
<b>GMS-400</b>	400	211	70	G1/2"	7/8"-14	G1/4"	7/16"-20

## SHAFT OPTIONS

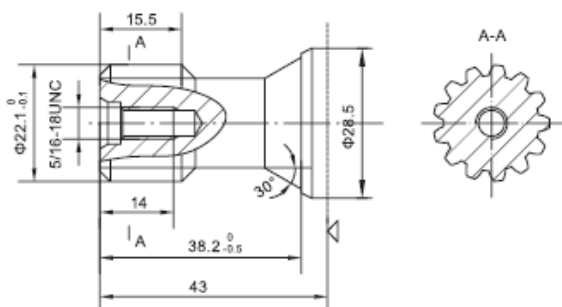
25mm Cylindrical shaft, Parallel key



25.4mm Cylindrical shaft, Woodruff key (Std)



22.1mm involute splined shaft 13T, 13-DP16/32



25.3mm Splined shaft 6T, 6-25.3x21.4x6.2

