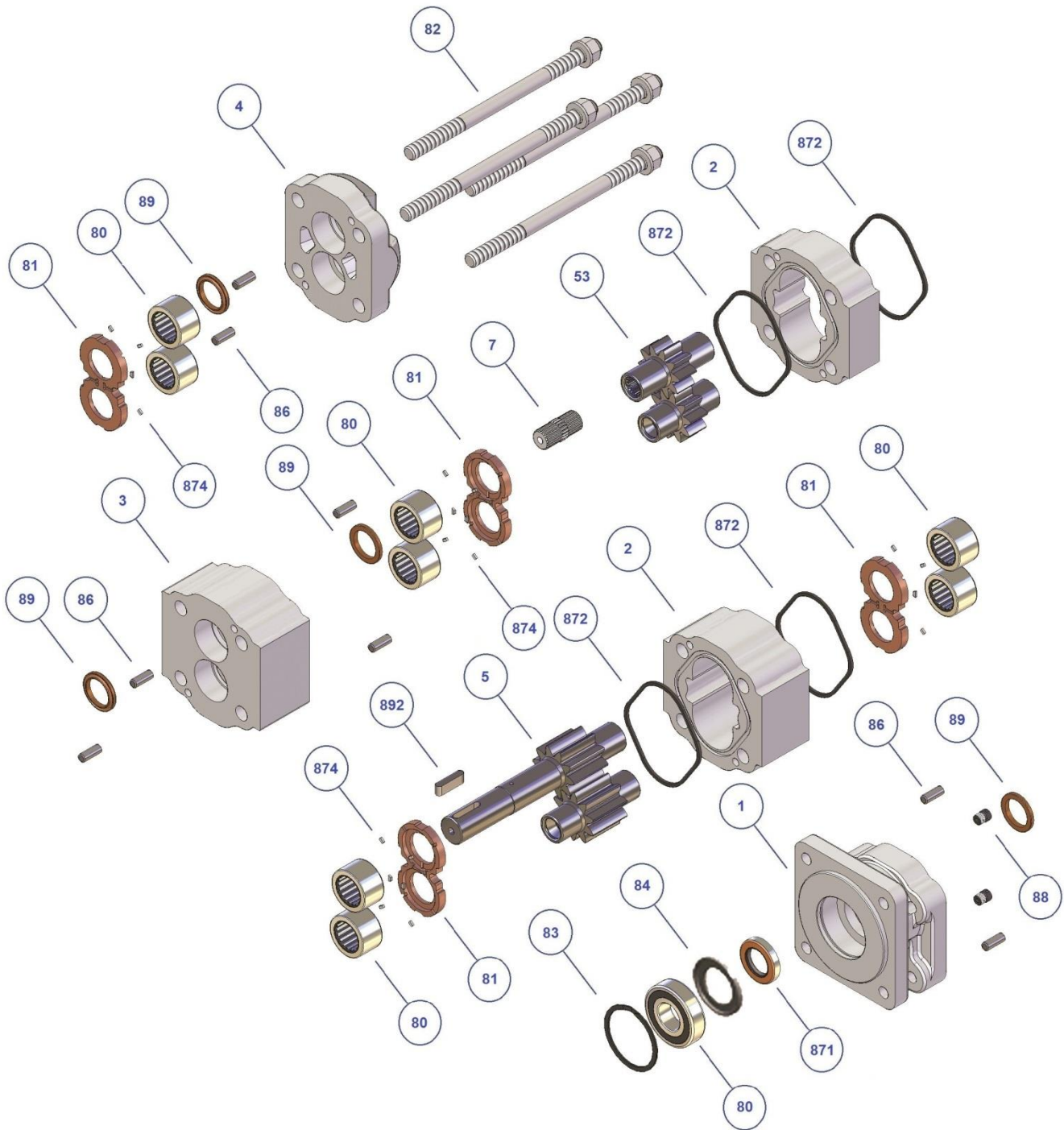
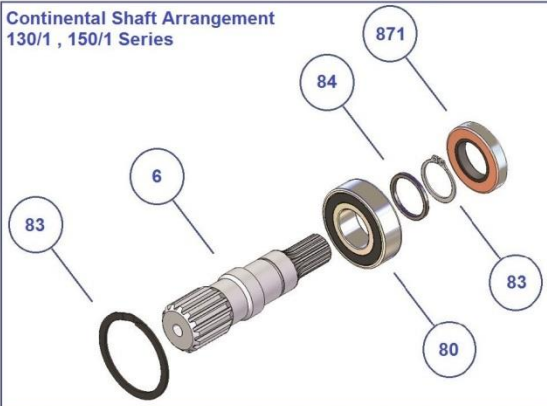


Bearing Series

120 / 130 / 131 / 150 / 151 / 175 / 176



Continental Shaft Arrangement
130/1 , 150/1 Series



Bearing / Seal Arrangement
175 / 176 Series



Tell Tale Arrangement
130/1 , 150/1 Series



| PART TYPE | SERIES | | | | |
|--|------------------------------|-------------|-------------|-------------|-------------|
| | 120 | 125 | 131 | 151 | 176 |
| (1) | SHAFT END COVERS | | | | |
| 4 BOLT ROUND | | 125-1311-10 | | | |
| 6 BOLT ROUND | 120-1411-10 | 125-1411-10 | 131-1411-10 | | |
| 2 BOLT 3.25" SAE A | 120-1221-10 | | 131-1221-10 | | |
| 2 BOLT 4" SAE B | 120-1231-10 | 125-1231-10 | 131-1231-10 | 151-1231-10 | |
| 2 BOLT 4" SAE B SHORT | 120-1231-20 | | | | |
| 2 BOLT 5" SAE C | | 125-1241-10 | | 151-1241-10 | 176-1241-10 |
| 4 BOLT 4" SAE B | 120-1331-10 | 125-1331-10 | 131-1331-10 | 151-1331-10 | 176-1331-10 |
| 4 BOLT 5" SAE C | | 125-1341-10 | 131-1341-10 | 151-1341-10 | 176-1341-10 |
| 4 BOLT 6" SAE D | | | | | 176-1351-10 |
| 2/4 BOLT 4" SAE B | | | | 151-1230-20 | |
| 2/4 BOLT 4" SAE B SHORT | | | | 151-1530-20 | |
| PIGGYBACK | | | 131-1610-20 | | 131-1241-20 |
| PAD MOUNT PUMP | | 125-1101-10 | 131-1101-10 | 151-1101-10 | |
| CHELSEA | 120-1371-10 | | | | |
| (2) | HOUSINGS | | | | |
| PUMP | 120-21??-00 | 151-21??-00 | 131-21??-00 | 151-21??-00 | 176-21??-00 |
| REFER TO DATA SHEET BELOW THEN SELECT AND SUBSTITUE ABOVE ?? WITH THE CORRECT DASH SIZE (CODE) | | | | | |
| (3) | BEARING CARRIERS | | | | |
| STANDARD | 120-3100-00 | 125-3100-00 | 131-3100-00 | 151-3100-00 | 176-3100-00 |
| STANDARD WITH DRAIN | | | 131-3100-10 | 151-3100-10 | 176-3100-10 |
| (4) | PORT END COVERS | | | | |
| STANDARD | 120-4100-00 | 151-4100-00 | 131-4100-00 | 151-4100-00 | 176-4100-00 |
| PORTED 4 PORT | | | 131-4200-00 | 151-4200-00 | |
| BI-ROTATION | | | | 151-4620-00 | |
| PIGGYBACK STD | | | 131-4610-00 | | 176-4739-00 |
| (5) | SOLID SHAFT GEAR SETS | | | | |
| 7/8" KEY SAE B | 131-51??-12 | | 131-51??-12 | | |
| 1" KEY SAE BB | 131-51??-13 | | 131-51??-13 | 151-51??-13 | |
| 1 1/4" KEY SAE C | | | | 151-51??-15 | 176-51??-15 |
| 13 SPLINE 7/8" SAE B | 131-51??-32 | | 131-51??-32 | 151-51??-32 | |
| 14 SPLINE 1 1/4" SAE C | | | | 151-51??-45 | 176-51??-45 |
| 14 SPLINE 1 1/4" SHORT SAE C | | | | 151-52??-45 | |
| REFER TO DATA SHEET BELOW THEN SELECT AND SUBSTITUE ABOVE ?? WITH THE CORRECT DASH SIZE (CODE) | | | | | |
| (53) | LOOSE GEAR SETS | | | | |
| STANDARD | 131-53??-00 | 125-53??-00 | 131-53??-00 | 151-53??-00 | 176-53??-00 |
| REFER TO DATA SHEET BELOW THEN SELECT AND SUBSTITUE ABOVE ?? WITH THE CORRECT DASH SIZE (CODE) | | | | | |
| (6) | CONTINENTAL SHAFTS | | | | |
| 3/4" KEY | 131-6100-11 | | 131-6100-11 | | |
| 7/8" KEY | 131-6100-12 | 125-6100-12 | 131-6100-12 | | |
| 7/8" KEY WITH EXT THREAD | 131-6400-12 | | 131-6400-12 | | |
| 1" KEY | 131-6100-13 | 125-6100-13 | 131-6100-13 | 151-6100-13 | |
| 1" KEY LONG | 131-6300-12 | | 131-6300-12 | | |
| 1 1/8" KEY | 131-6100-14 | | 131-6100-14 | 151-6100-14 | |
| 1 1/4" KEY | 131-6100-15 | 125-6100-15 | 131-6100-15 | 151-6100-15 | 176-6100-15 |
| 1 1/4" KEY LONG | | 125-6300-15 | | | 176-6300-15 |
| 1 3/4" KEY UCHIDA | | | | | 176-6300-16 |
| 45mm KEY SHAFT | | | | | 176-6400-17 |
| 6 SPLINE 1" | 131-6400-03 | 125-6100-02 | 131-6400-03 | 151-6400-03 | |
| 6 SPLINE 1 1/8" | | 125-6100-04 | | | 176-6100-04 |
| 9 SPLINE 5/8" | 131-6100-20 | | 131-6100-20 | | |
| 11 SPLINE | 131-6100-81 | | 131-6100-81 | | |
| 13 SPLINE 7/8" | 131-6100-32 | 125-6100-32 | 131-6100-32 | 151-6100-32 | |
| 13 SPLINE 7/8" SHORT | 131-6200-32 | | 131-6200-32 | | |
| 13 SPLINE 7/8" LONG | 131-6300-32 | | 131-6300-32 | | |
| 13 SPLINE 7/8" EXTRA LONG | 131-6400-32 | | 131-6400-32 | | |
| 13 SPLINE 1 3/4" | | | | | 176-6400-36 |
| 14 SPLINE 1 1/4" | 131-6100-45 | 125-6100-45 | 131-6100-45 | 151-6100-45 | 176-6100-45 |
| 14 SPLINE 1 1/4" LONG | | | | 151-6300-45 | |
| 15 SPLINE 1" | 131-6100-53 | | 131-6100-53 | 151-6100-53 | |
| (7) | CONNECTING SHAFTS | | | | |
| STANDARD | 131-7000-00 | 125-7000-00 | 131-7000-00 | 151-7000-00 | 176-7000-00 |
| PIGGYBACK | | | 131-7100-00 | 151-7100-30 | 176-7250-00 |
| (80) | BEARINGS | | | | |
| NEEDLE ROLLER | 131-8010-00 | 151-8010-00 | 131-8010-00 | 151-8010-00 | 176-8010-00 |
| SHAFT BALL BEARING | 131-8020-00 | 125-8010-00 | 131-8020-00 | 151-8020-00 | 176-8020-00 |

| | | | | | |
|---|-----------------------|-------------|-------------|-------------|-------------|
| (81) | THRUST PLATES | | | | |
| PUMP | 131-8120-00 | 151-8120-00 | 131-8120-00 | 151-8120-00 | 176-8120-00 |
| (82) | FASTENERS | | | | |
| BOLTS | 120-8216-?? | XXX-8212-?? | XXX-8212-?? | XXX-8212-?? | XXX-8212-?? |
| STUDS 06"-11" EXTENDED THREAD ON ONE SIDE | 120-8226-01 | XXX-8222-01 | XXX-8222-01 | XXX-8222-01 | XXX-8222-01 |
| STUDS 11"-16" EXTENDED THREAD ON ONE SIDE | 120-8226-02 | XXX-8222-02 | XXX-8222-02 | XXX-8222-02 | XXX-8222-02 |
| STUDS 16"-21" EXTENDED THREAD ON ONE SIDE | 120-8226-03 | XXX-8222-03 | XXX-8222-03 | XXX-8222-03 | XXX-8222-03 |
| STUDS 21"-26" EXTENDED THREAD ON ONE SIDE | | XXX-8222-04 | XXX-8222-04 | XXX-8222-04 | XXX-8222-04 |
| THREADED ROD PER METER | 120-8222-00 | XXX-8222-00 | XXX-8222-00 | XXX-8222-00 | XXX-8222-00 |
| NUTS | 120-8236-00 | XXX-8230-00 | XXX-8230-00 | XXX-8230-00 | XXX-8230-00 |
| WASHERS | 120-8244-00 | XXX-8242-00 | XXX-8242-00 | XXX-8242-00 | XXX-8242-00 |
| (83) | SNAP RINGS/CIRCLIPS | | | | |
| SHAFT | XXX-8320-00 | 125-8320-00 | XXX-8320-00 | 151-8320-00 | 176-8320-00 |
| SHAFT END COVER | XXX-8310-00 | | XXX-8310-00 | 151-8310-00 | 176-8310-00 |
| (84) | SPACERS | | | | |
| SEAL SPACER | 131-8410-00 | 125-8410-00 | 131-8410-00 | 151-8410-00 | |
| INTERNAL SPACER | | 125-843?-00 | | | |
| BEARING SPACER | 131-8430-02 | 125-8430-00 | 131-8430-02 | 151-8430-01 | 176-8430-00 |
| SHAFT SPACER (CONTI) | 131-8420-00 | 125-8420-00 | 131-8420-00 | | 176-8420-00 |
| PIGGYBACK | | | 131-8440-00 | | 176-8410-03 |
| (85) | RETAINERS | | | | |
| SEAL RETAINER MOTOR | | 125-8510-00 | | | 176-8500-00 |
| SEAL RETAINER PUMP | | 125-8500-00 | | | 176-8500-00 |
| RETAINER NUT PUMP | | 125-8200-00 | | | |
| RETAINER NUT MOTOR | | 125-8210-00 | | | |
| (86) | DOWELS | | | | |
| STANDARD | | | XXX-8600-00 | XXX-8600-00 | 176-8600-00 |
| (871) | SHAFT SEALS | | | | |
| PUMP SEAL STANDARD | 131-8711-00 | 125-8711-00 | 131-8711-00 | 151-8711-00 | 176-8711-00 |
| MOTOR SEAL STANDARD | 131-8714-00 | 125-8714-00 | 131-8714-00 | 151-8713-00 | 176-8713-00 |
| PUMP SEAL LOOSE SHAFT | 131-8712-00 | 125-8712-00 | 131-8712-00 | | |
| MOTOR SEAL LOOSE SHAFT | 131-8713-00 | | 131-8713-00 | | |
| PUMP SEAL VITON | 131-8711-10 | 125-8711-10 | 131-8711-10 | 151-8711-10 | 176-8711-10 |
| (872) | BODY SEALS | | | | |
| BODY SEALS | 120-8720-00 | 151-8720-00 | 131-8720-00 | 151-8720-00 | 176-8720-00 |
| BODY SEALS VITON | 131-8720-10 | 151-8720-10 | 131-8720-10 | 151-8720-10 | 176-8720-10 |
| (874) | POCKET SEALS/O-RINGS | | | | |
| POCKET SEAL | XXX-8743-90 | XXX-8743-90 | XXX-8743-90 | XXX-8743-90 | 176-8743-80 |
| RETAINER O-RING | | 125-8745-02 | | | 176-8745-02 |
| RETAINER O-RING VITON | | | | | 176-8745-10 |
| PIGGYBACK O-RING | | | | | |
| (88) | SMALL PARTS | | | | |
| PLUG DRAIN | XXX-8811-00 | XXX-8811-00 | XXX-8811-00 | XXX-8811-00 | XXX-8811-00 |
| PLUG SHAFT END COVER | XXX-8810-00 | XXX-8810-00 | XXX-8810-00 | XXX-8810-00 | XXX-8810-00 |
| CHECK VALVES | XXX-8820-00 | XXX-8820-00 | XXX-8820-00 | XXX-8820-00 | XXX-8820-00 |
| (89) | BRONZE PRESSURE RINGS | | | | |
| RING SEAL | 131-8910-00 | | 131-8910-00 | 151-8910-00 | 176-8910-00 |
| SHAFT BUSH | | 125-8031-00 | | | |
| CONNECTING SHAFT BUSH | | 125-8040-00 | | | |
| (892) | KEYS | | | | |
| 3/4" SHAFT | | | | | |
| 7/8" SHAFT | XXX-8920-02 | XXX-8920-04 | XXX-8920-02 | XXX-8920-02 | |
| 1" SHAFT | XXX-8920-01 | | XXX-8920-01 | XXX-8920-01 | |
| 1 1/8" SHAFT | | | | | |
| 1 1/4" SHAFT | XXX-8920-03 | | XXX-8920-03 | XXX-8920-03 | XXX-8920-03 |
| 1 3/4" SHAFT | | | | | |

Pump Specifications

| Dash Size (Code) | | - 05 | - 07 | - 10 | - 12 | - 15 | - 17 | - 20 | - 22 | - 25 | - 27 | - 30 |
|---------------------------------|---------------------------------|--------------------|---------------|---------------|---------------|---------------|---------------|---------------|---------------|---------------|---------------|---------------|
| GP(M)120 Bearing | Gear Width | 0.50"(1/2") | 0.75"(3/4") | 1.00"(1") | 1.25"(1 1/4") | 1.50"(1 1/2") | 1.75"(1 3/4") | 2.00"(2") | 2.25"(2 1/4") | 2.50"(2 1/2") | 2.75"(2 3/4") | 3.00"(3") |
| | Gear Housing Width | 1.25"(1 1/4") | 1.50"(1 1/2") | 1.75"(1 3/4") | 2.00"(2") | 2.25"(2 1/4") | 2.50"(2 1/2") | 2.75"(2 3/4") | | | | |
| | cc/rev | 16.00 | 24.10 | 32.20 | 40.30 | 48.30 | 56.40 | 64.50 | | | | |
| | Lpm (At 1000rpm) | 16.00 | 24.10 | 32.20 | 40.30 | 48.30 | 56.40 | 64.50 | | | | |
| | cu in (cu in/rev) | 0.99 | 1.48 | 1.97 | 2.46 | 2.96 | 3.45 | 3.94 | | | | |
| | US gpm (At 1000rpm) | 4.23 | 6.37 | 8.51 | 10.65 | 12.76 | 14.90 | 17.04 | | | | |
| | Max Pressure(Bar) | 205 | 205 | 205 | 205 | 205 | 170 | 170 | | | | |
| | Max Pressure(Psi) | 3000 | 3000 | 3000 | 3000 | 3000 | 2500 | 2500 | | | | |
| | Max Speed (RPM) | 2400 | 2400 | 2400 | 2400 | 2400 | 2400 | 2400 | | | | |
| GP(M)125 Bearing | Gear Housing Width | 1.25"(1 1/4") | 1.50"(1 1/2") | 1.75"(1 3/4") | 2.00"(2") | 2.25"(2 1/4") | 2.50"(2 1/2") | 2.75"(2 3/4") | 3.00"(3") | 3.25"(3 1/4") | | |
| | cc/rev | 20.80 | 31.20 | 41.70 | 52.10 | 62.60 | 73.00 | 83.50 | 94.00 | 104.40 | | |
| | Lpm (At 1000rpm) | 20.80 | 31.20 | 41.70 | 52.10 | 62.60 | 73.00 | 83.50 | 94.00 | 104.40 | | |
| | cu in (cu in/rev) | 1.28 | 1.91 | 2.55 | 3.19 | 3.82 | 4.46 | 5.10 | 5.74 | 6.38 | | |
| | US gpm (At 1000rpm) | 5.50 | 8.24 | 11.02 | 13.76 | 16.54 | 19.29 | 22.06 | 24.84 | 27.58 | | |
| | Max Pressure(Bar) | 170 | 170 | 170 | 170 | 170 | 153 | 153 | 138 | 138 | | |
| | Max Pressure(Psi) | 2500 | 2500 | 2500 | 2500 | 2500 | 2250 | 2250 | 2000 | 2000 | | |
| | Max Speed (RPM) | 2400 | 2400 | 2400 | 2400 | 2400 | 2400 | 2400 | 2400 | 2400 | | |
| | GP(M)130 GP(M)131 Bearing | Gear Housing Width | 1.25"(1 1/4") | 1.50"(1 1/2") | 1.75"(1 3/4") | 2.00"(2") | 2.25"(2 1/4") | 2.50"(2 1/2") | 2.75"(2 3/4") | 3.00"(3") | 3.25"(3 1/4") | |
| cc/rev | | 16.00 | 24.10 | 32.20 | 40.30 | 48.30 | 56.40 | 64.50 | 72.60 | 80.00 | | |
| Lpm (At 1000rpm) | | 16.00 | 24.10 | 32.20 | 40.30 | 48.30 | 56.40 | 64.50 | 72.60 | 80.00 | | |
| cu in (cu in/rev) | | 0.99 | 1.48 | 1.97 | 2.46 | 2.96 | 3.45 | 3.94 | 4.43 | 4.92 | | |
| US gpm (At 1000rpm) | | 4.23 | 6.37 | 8.51 | 10.65 | 12.76 | 14.90 | 17.04 | 19.18 | 21.14 | | |
| Max Pressure(Bar) | | 170/205 | 170/205 | 170/205 | 170/205 | 170/205 | 153/170 | 153/170 | 138/153 | 138/153 | | |
| Max Pressure(Psi) | | 2500/3000 | 2500/3000 | 2500/3000 | 2500/3000 | 2500/3000 | 2250/2500 | 2250/2500 | 2000/2250 | 2000/2250 | | |
| Max Speed (RPM) | | 2400 | 2400 | 2400 | 2400 | 2400 | 2400 | 2400 | 2400 | 2400 | | |
| GP(M)150 GP(M)151 Bearing | | Gear Housing Width | 1.25"(1 1/4") | 1.50"(1 1/2") | 1.75"(1 3/4") | 2.00"(2") | 2.25"(2 1/4") | 2.50"(2 1/2") | 2.75"(2 3/4") | 3.00"(3") | 3.25"(3 1/4") | |
| | cc/rev | 20.80 | 31.20 | 41.70 | 52.10 | 62.60 | 73.00 | 83.50 | 94.00 | 104.40 | | |
| | Lpm (At 1000rpm) | 20.80 | 31.20 | 41.70 | 52.10 | 62.60 | 73.00 | 83.50 | 94.00 | 104.40 | | |
| | cu in (cu in/rev) | 1.28 | 1.91 | 2.55 | 3.19 | 3.82 | 4.46 | 5.10 | 5.74 | 6.38 | | |
| | US gpm (At 1000rpm) | 5.50 | 8.24 | 11.02 | 13.76 | 16.54 | 19.29 | 22.06 | 24.84 | 27.58 | | |
| | Max Pressure(Bar) | 170/205 | 170/205 | 170/205 | 170/205 | 170/205 | 153/170 | 153/170 | 138/153 | 138/153 | | |
| | Max Pressure(Psi) | 2500/3000 | 2500/3000 | 2500/3000 | 2500/3000 | 2500/3000 | 2250/2500 | 2250/2500 | 2000/2250 | 2000/2250 | | |
| | Max Speed (RPM) | 2400 | 2400 | 2400 | 2400 | 2400 | 2400 | 2400 | 2400 | 2400 | | |
| | GP(M)175 GP(M)176 Bearing | Gear Housing Width | | 1.75"(1 3/4") | 2.00"(2") | 2.25"(2 1/4") | 2.50"(2 1/2") | 2.75"(2 3/4") | 3.00"(3") | 3.25"(3 1/4") | 3.50"(3 1/2") | 3.75"(3 3/4") |
| cc/rev | | | 50.30 | 67.10 | 84.00 | 100.60 | 117.50 | 134.30 | 151.00 | 168.00 | 184.50 | 200.00 |
| Lpm (At 1000rpm) | | | 50.30 | 67.10 | 84.00 | 100.60 | 117.50 | 134.30 | 151.00 | 168.00 | 184.50 | 200.00 |
| cu in (cu in/rev) | | | 3.07 | 4.09 | 5.13 | 6.14 | 7.17 | 8.20 | 9.21 | 10.25 | 11.28 | 12.30 |
| US gpm (At 1000rpm) | | | 13.29 | 17.73 | 22.19 | 26.58 | 31.04 | 35.48 | 39.89 | 44.39 | 48.75 | 52.84 |
| Max Pressure(Bar) | | | 170/205 | 170/205 | 170/205 | 170/205 | 170/205 | 170/205 | 153/170 | 153/170 | 138/153 | 138/153 |
| Max Pressure(Psi) | | | 2500/3000 | 2500/3000 | 2500/3000 | 2500/3000 | 2500/3000 | 2500/3000 | 2250/2500 | 2250/2500 | 2000/2250 | 2000/2250 |
| Max Speed (RPM) | | | 2400 | 2400 | 2400 | 2400 | 2400 | 2400 | 2400 | 2400 | 2400 | 2400 |

| | | | | | | |
|------------------------|---------------------|------------------------|------|--------------------------------|-------------|-------|
| Useful Formulae | To Convert : | Cubic Inches (cu in) | Into | Cubic centimeters (cc) | Multiply By | 16.39 |
| | | US Gallons | Into | Cubic Inches (cu in) | Multiply By | 2.31 |
| | | US Gallons | Into | Cubic centimeters (cc) | Multiply By | 3.785 |
| | | Inches (in) | Into | Millimeters (mm) | Multiply By | 25.4 |
| | | Bar | Into | Pounds per Square Inch (psi) | Multiply By | 14.5 |