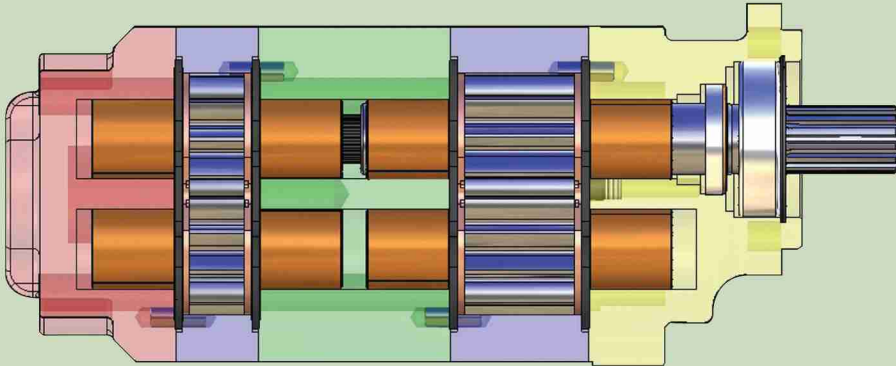


# BUSHING RANGE



## Pump & Motor Specifications

### CODE

Manufactured in South Africa

DASH SIZE GEAR WIDTH	-05 0.50"(1/2")	-07 0.75"(3/4")	-10 1.00"(1")	-12 1.25"(1 1/4")	-15 1.50"(1 1/2")	-17 1.75"(1 3/4")	-20 2.00"(2")	-22 2.25"(2 1/4")	-25 2.50"(2 1/2")
<b>215</b>									
Gear Housing Width	0.88"(7/8")	1.13"(11/8")	1.38"(13/8")	1.63"(15/8")	1.88"(17/8")	2.13"(21/8")	2.38"(23/8")		
cc/rev	10.00	15.00	20.00	25.00	30.00	35.00	40.00		
Lpm (at 1000rpm)	10.00	15.00	20.00	25.00	30.00	35.00	40.00		
cu in (cu in/rev)	0.61	0.92	1.22	1.53	1.84	2.15	2.44		
US gpm (at 1000rpm)	4.23	6.37	8.51	10.65	12.76	14.90	17.04		
Max Pressure( bar )	240	240	240	240	240	200	170		
Max Pressure( psi )	3500	3500	3500	3500	3200	2900	2500		
Max Speed (rpm)	3000	3000	3000	3000	3000	3000	3000		
Pump Weight (kg)	8.00	8.00	8.00	8.50	9.00	9.50	10.00		
Additional sect add (kg)	8.00	8.00	8.00	8.50	9.00	9.50	10.00		
<b>230</b>									
Gear Housing Width	1.00"(1")	1.25"(1 1/4")	1.50"(1 1/2")	1.75"(1 3/4")	2.00"(2")	2.25"(2 1/4")	2.50"(2 1/2")		
cc/rev	16.00	24.10	32.20	40.30	48.30	56.40	64.50		
Lpm (at 1000rpm)	16.00	24.10	32.20	40.30	48.30	56.40	64.50		
cu in (cu in/rev)	0.99	1.48	1.97	2.46	2.96	3.45	3.94		
US gpm (at 1000rpm)	4.23	6.37	8.51	10.65	12.76	14.90	17.04		
Max Pressure( bar )	240	240	240	240	240	220	200		
Max Pressure( psi )	3500	3500	3500	3500	3500	3250	3000		
Max Speed (rpm)	3000	3000	3000	3000	3000	3000	3000		
Pump Weight (kg)	16.00	16.00	16.00	16.60	17.20	17.80	18.40		
Additional sect add (kg)	14.40	14.40	14.40	14.90	15.50	16.00	16.60		
<b>250</b>									
Gear Housing Width	1.00"(1")	1.25"(1 1/4")	1.50"(1 1/2")	1.75"(1 3/4")	2.00"(2")	2.25"(2 1/4")	2.50"(2 1/2")	2.75"(2 3/4")	3.00"(3")
cc/rev	20.80	31.20	41.70	52.10	62.60	73.00	83.50	94.00	104.40
Lpm (at 1000rpm)	20.80	31.20	41.70	52.10	62.60	73.00	83.50	94.00	104.40
cu in (cu in/rev)	1.28	1.91	2.55	3.19	3.82	4.46	5.10	5.74	6.38
US gpm (at 1000rpm)	5.50	8.24	11.02	13.76	16.54	19.29	22.06	24.84	27.58
Max Pressure( bar )	240	240	240	240	240	220	200	190	170
Max Pressure( psi )	3500	3500	3500	3500	3500	3250	3000	2750	2500
Max Speed (rpm)	2400	2400	2400	2400	2400	2400	2400	2400	2400
Pump Weight (kg)	22.70	22.70	22.70	23.40	24.10	24.80	25.50	26.20	26.90
Additional sect add (kg)	22.70	22.70	22.70	23.40	24.10	24.80	25.50	26.20	26.90
<b>265</b>									
Gear Housing Width		1.25"(1 1/4")	1.50"(1 1/2")	1.75"(1 3/4")	2.00"(2")	2.25"(2 1/4")	2.50"(2 1/2")	2.75"(2 3/4")	3.00"(3")
cc/rev		44.00	59.00	73.50	88.00	102.00	118.00	132.60	147.00
Lpm (at 1000rpm)		44.00	59.00	73.50	88.00	102.00	118.00	132.60	147.00
cu in (cu in/rev)		2.68	3.60	4.49	5.37	6.22	7.20	8.09	8.97
US gpm (at 1000rpm)		11.62	15.59	19.42	23.25	26.95	31.18	35.03	38.84
Max Pressure( bar )		240	240	240	240	240	240	220	200
Max Pressure( psi )		3500	3500	3500	3500	3500	3500	3250	3000
Max Speed (rpm)		2400	2400	2400	2400	2400	2400	2400	2400
Pump Weight (kg)		24.90	24.90	26.00	27.10	28.20	29.30	30.40	31.50
Additional sect add (kg)		22.70	22.70	23.40	24.10	24.80	25.50	26.20	26.90

THE ABOVE DATA ARE AVERAGE RESULTS BASED ON A SERIES OF TESTS AND ARE NOT NECESSARILY REPRESENTATIVE OF ANY SINGLE UNIT. GEAR PUMP MANUFACTURING RESERVES THE RIGHT TO AMEND THE TECHNICAL DATA WITHOUT NOTICE.

Useful Formulae	To Convert	Inches	Bar	Cu In/rev	US GPM	US GPM	kg
	Into	Millimeters	Psi	cc/rev	Cu In/rev	cc/rev	lbs
	Multiply by	25.4	14.5	16.39	2.31	3.785	2.205

**GP** = PUMP  
**GM** = MOTOR  
**GF** = FLOW DIVIDER  
**GA** = ADD ON  
**GB** = STEP DOWN  
**GZ** = PUMP / MOTOR COMBO